

## STANDARD INFORMATION

**Standard:** UL 1062

**Standard ID:** Unit Substations [UL 1062:1997 Ed.3+R:21Aug2020]

**Previous Standard ID:** Unit Substations [UL 1062:1997 Ed.3+R:11Feb2019]

## EFFECTIVE DATE OF NEW/REVISED REQUIREMENTS

**Effective Date:** **August 21, 2022**

## IMPACT, OVERVIEW, AND ACTION REQUIRED

**Impact Statement:** Per our accreditation, Intertek is required to review reports against the standard revisions to confirm compliance. Once compliance is confirmed, the standard reference in the report is updated to show continued compliance to the technical requirements of the standard.

**Overview of Changes:** Revisions to align with service equipment requirements from NFPA 70. Specific details of new/revise requirements are found in table below.

***Current Listings Not Active? – Please immediately identify any current Listing Reports or products that are no longer active and should be removed from our records. We will do this at no charge as long as Intertek is notified in writing prior to the review of your reports.***



## STANDARD INFORMATION

CLAUSE	VERDICT	COMMENT
17	Info	<b>Service Equipment Use</b>
		<i><b>New section added;</b></i>
17.2		<b>Guarding against inadvertent contact</b>
17.2.1		<p>Service equipment shall be constructed such that, with the service disconnect in the off position, no ungrounded uninsulated live part is exposed to inadvertent contact by persons while servicing any field connected load terminal, including a neutral load terminal, a branch circuit equipment grounding terminal, or the neutral disconnect link.</p> <p>Note: In accordance with the Standard for Electrical Safety in the Workplace, NFPA 70E, an electrically safe work condition should be established prior to working on electrical equipment. Accessibility requirements do not endorse working on energized electrical equipment.</p>
17.2.2		In a device having provision for the connection of a grounded service conductor, the disconnecting means referred to in 17.1 shall simultaneously interrupt the grounded service conductor, or other means shall be provided for disconnecting the grounded service conductor from the interior wiring of the building.
17.2.3		Exposure to inadvertent contact is determined by use of the probe illustrated in Figure 17.1. If restriction to the line-side of the service disconnect is dependent on the installation of field installed service conductors, conductors sized in accordance with 16.12 through 16.14 shall be installed in the terminals when determining exposure to inadvertent contact. All live parts of the line side service terminal, including the connector body and pressure screw shall be evaluated.

**Straight Probe**

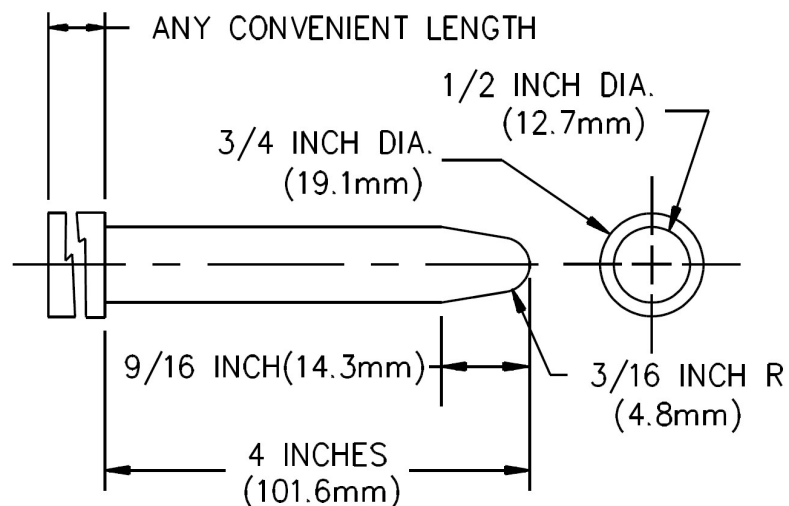


Figure 17.1