

STANDARD INFORMATION

Standard Number: UL 1778

Standard Name: Uninterruptible Power Systems

Standard Edition and Issue Date: 5th Edition Dated June 13, 2014

Date of Revision: October 12, 2017

Date of Previous Revision of Standard: August 7, 2015

EFFECTIVE DATE OF NEW/REVISED REQUIREMENTS

Effective Date: **July 16, 2019**

IMPACT, OVERVIEW, AND ACTION REQUIRED

Impact Statement: A review of all Listing Reports is necessary to determine which products comply with new/revise requirements and which products will require re-evaluation. **NOTE:** Effective immediately, this revised standard will be exclusively used for evaluation of new products unless the Applicant requests in writing that current requirements be used along with their understanding that their listings will be withdrawn on Effective Date noted above, unless the product is found to comply with new/revise requirements.

Overview of Changes:

- Addition of requirements and figure for short circuit withstand and short circuit closing test port location.
- Updates to references for capacitors and EMI filters.

Specific details of new/revise requirements are found in table below.

If the applicable requirements noted in the table are not described in your report(s), these requirements will need to be confirmed as met and added to your report(s) such as markings, instructions, test results, etc. (as required).

Client Action Required:

Information – To assist our Engineer with review of your Listing Reports, please submit technical information in response to the new/revise paragraphs noted in the attached or explain why these new/revise requirements do not apply to your product (s).

Current Listings Not Active? – Please immediately identify any current Listing Reports or products that are no longer active and should be removed from our records. We will do this at no charge as long as Intertek is notified in writing prior to the review of your reports.



STANDARD INFORMATION

CLAUSE	VERDICT	COMMENT
		Additions to existing requirements are <u>underlined</u> and deletions are shown lined out below.
1.5	Info	Components
1.5.107		Capacitors or EMI filters connected across the AC MAINS SUPPLY shall comply with the requirements for across-the-line capacitors in UL 1414 <u>60384-14</u> or CSA E60384-14, UL 810 or CSA C22.2 No. 190, and UL 1283 or CSA C22.2 No. 8, or the test specified in 5.2.101 of this Standard.
Annex NNN	Info	Short-circuit withstand rating
NNN.3		Test procedure
NNN.3.1		General application
		New clause added;
		Testing port requirements
NNN.3.1.3		A UPS rated for multiple input and output voltages shall be tested at the highest rated input voltages provided that applicable interrupting components have been evaluated to interrupt the prospective test current at the highest rated input voltage. For a UPS with multiple rated withstand markings, the port indicated in Figure NNN.2 shall be tested. The following two tests are required at each port being marked on the UPS with a withstand rating: a) Short-circuit making capacity "Closing test"; and b) Short-circuit capacity "Withstand test".

New figure added;

Figure NNN.2 – Test setup and port location

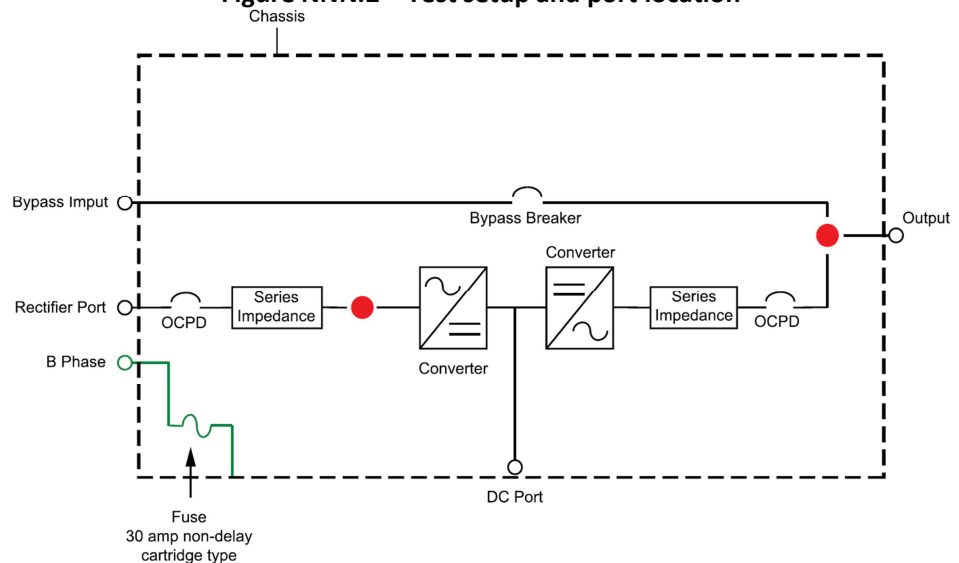


Figure NNN.2



CLAUSE	VERDICT	COMMENT
		CUSTOMERS PLEASE NOTE: This Table and column "Verdict" can be used in determining how your current or future production is or will be in compliance with new/revised requirements.